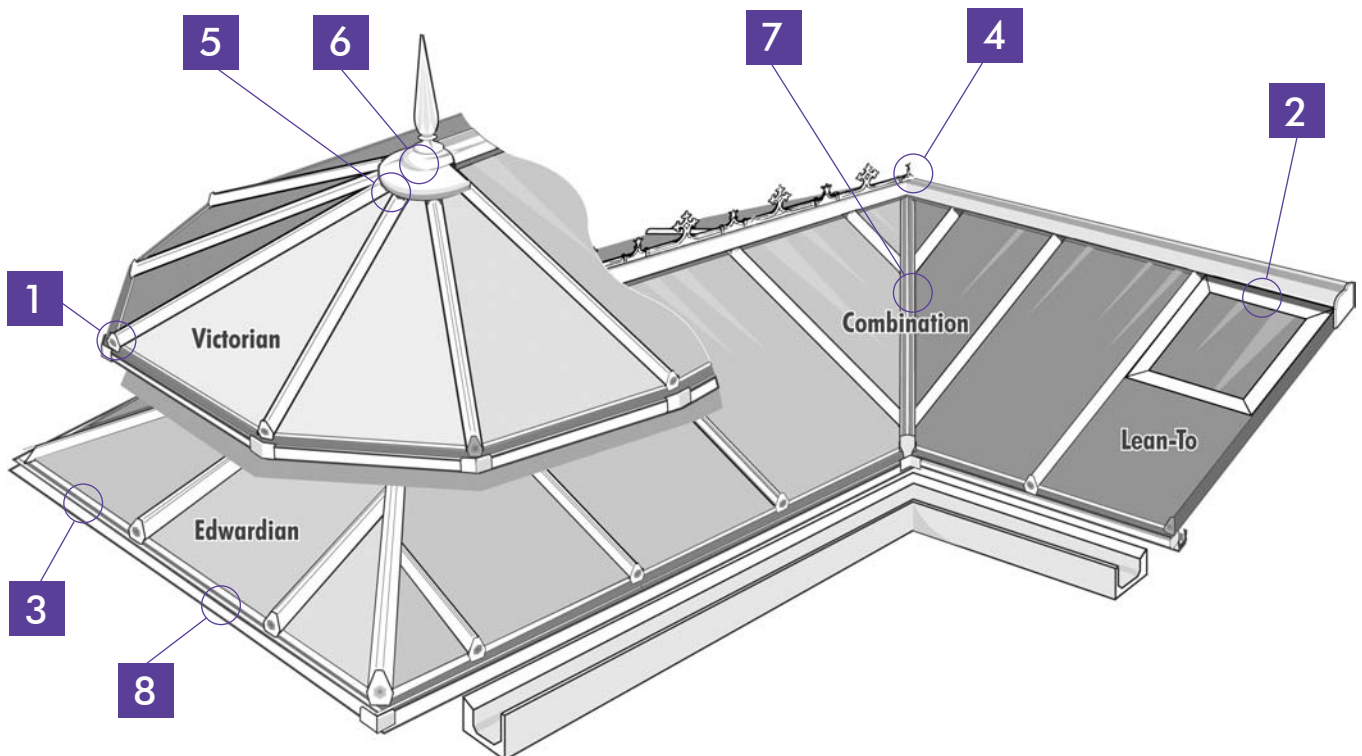


CONSERVATORY ROOF SEALANT INSTRUCTIONS

Sealant Index

Eaves Beam	1
Roof Vents	2
End Closures	3
Ridge Cover/Wall Flashing	4
Gallery	5
Top Cap	6
Valley	7
Finishing	8



NOTES

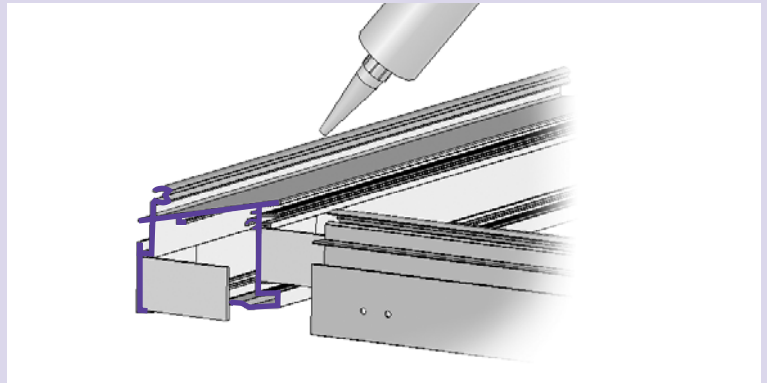
- Ensure the use of a good quality **LOW MODULUS NEUTRAL CURE** silicone sealant with a movement capability of $\pm 25\%$ is used. Please note that silicone containing acetate, such as low modulus acetoxy and high modulus silicone are **NOT** recommended, as these may have a detrimental effect on polycarbonate. For further information refer to ISO 11600:1993 (E) (Specification of Building Construction Sealants).
- Silicone sealants have a maximum shelf life, check the expiry date before use.
- Check all surfaces are clean and dry before application.
- When applying a larger area of sealant build the bead up uniformly from the corners outwards.
- Avoid entrapment of air in the sealant bead at all times.
- For further information refer to BS8000: Part 16: 1997 (Code of Practice For use of Sealants).

SYSTEM S

CONSER ROOF SEALANT

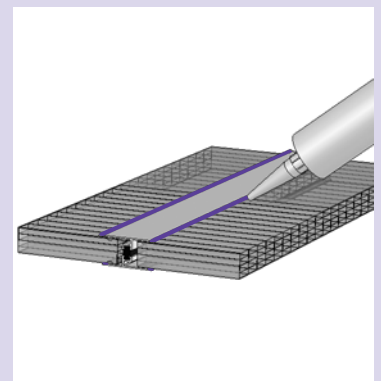
1 Eaves Beam

Ensure jointing faces are clean and free of burrs and apply sealant to mating faces.



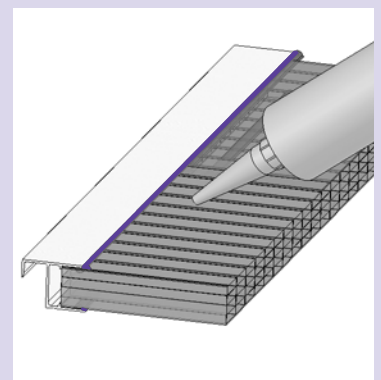
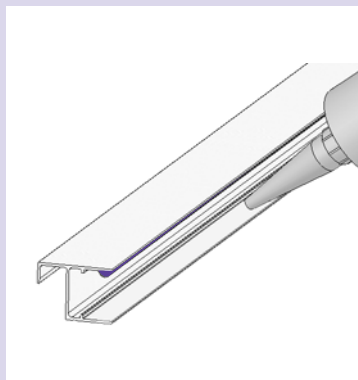
2 Roof Vents

Before fitting the 'H' connector apply sealant to the internal channels. Fit 'H' connector and run a bead along the top and bottom of the joints with the roof vent assembly and glazing panel. This applies to both the upper and lower connectors.



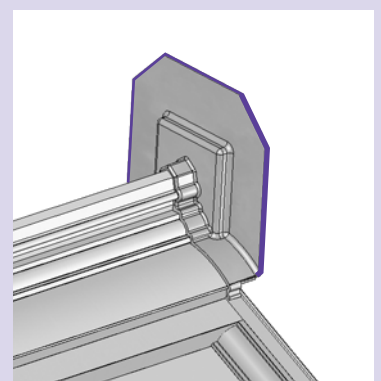
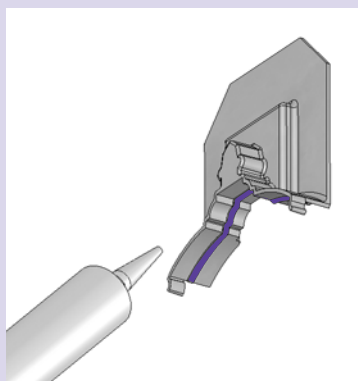
3 End Closures

Apply a bead of sealant to internal channel and on the top edge of the end closure and the glazing panel.



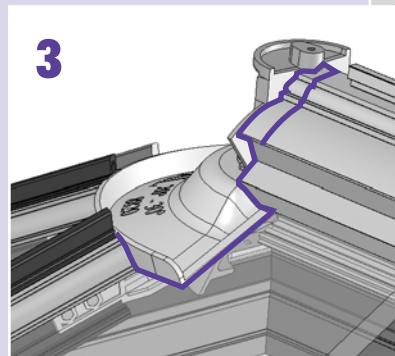
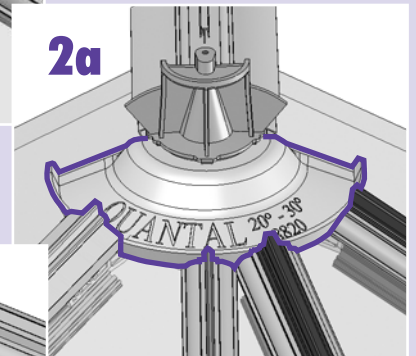
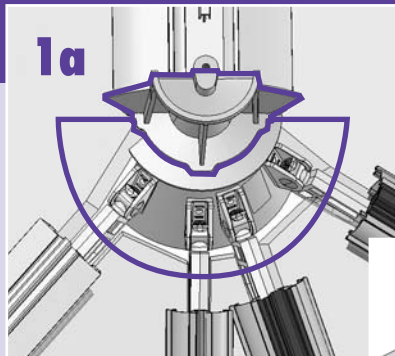
4 Ridge Cover

Apply sealant to the underside of wall flashing cover. Clip cover on and seal around perimeter against wall.



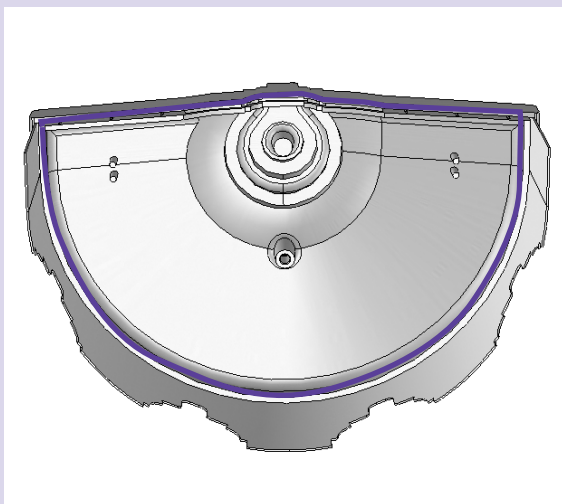
5 Gallery

- 1** Offer up seal and cut back edge to suit ridge/ bead.
- 1a** Apply 10mm bead of sealant as shown.
- 2** Press seal down onto plinth and then onto glazing plane.
- 2a** Apply silicone around perimeter of seal especially between vertical lip and ends of bars.
- 3** Silicone over joint between ridge and gallery - check for gaps.
- 4** Apply sealant to suit top cap.

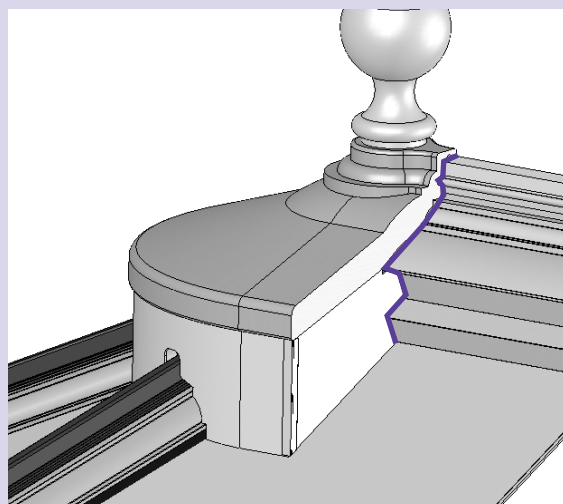


6 Top Cap

Before inserting the front screen apply sealant into the semi-circular and rear grooves of the top cap.



Fit top cap, rear screens and apply a bead of sealant to the joint between top cap, ridge cover and rear screens.

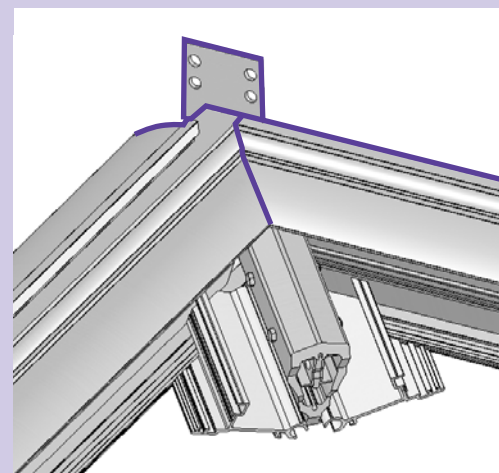
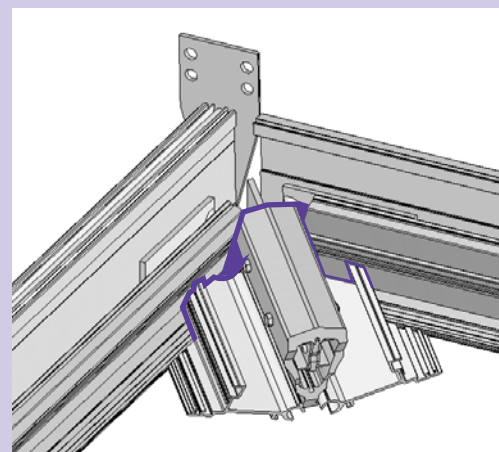


7 Valley

Apply sealant to the joint between the valley wing and liberally to the top end of the valley body.

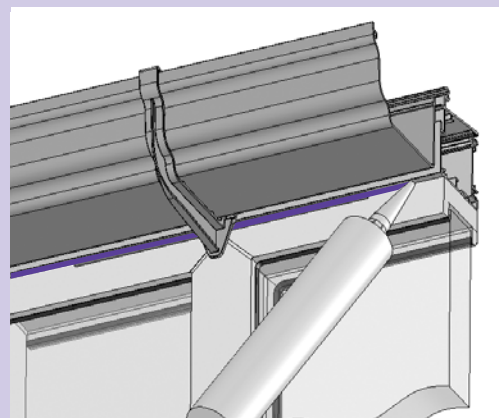
Run a bead of sealant along the top edge of the wall plate and around the wall mounting bracket. Apply a bead of sealant to the valley edge closure (as in item 3) and the glazing panel.

Fit wall plate cover ensuring the mitred ends butt together and apply a bead of sealant to the mitre.



8 Finishing

Apply a bead of sealant externally around the structure at the eaves beam and base frame joint.



QUANTAL[®]
Conservatory Roofing Systems

International House,
Battle Road, Heathfield Industrial Estate,
Newton Abbot, Devon, TQ12 6RY
Tel: 01626 832355 - Fax: 01626 832133
www.quantal.co.uk