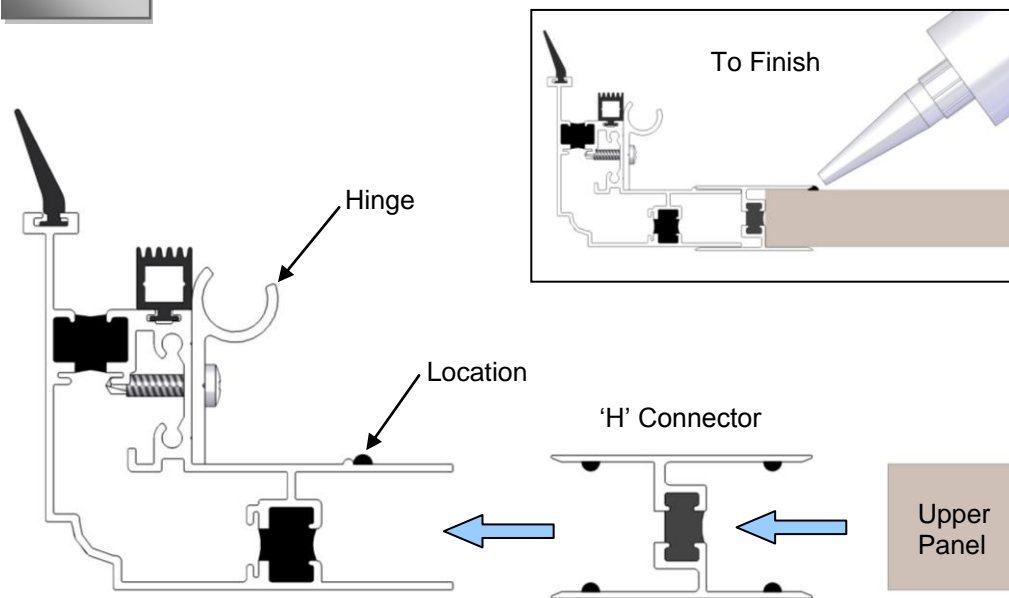
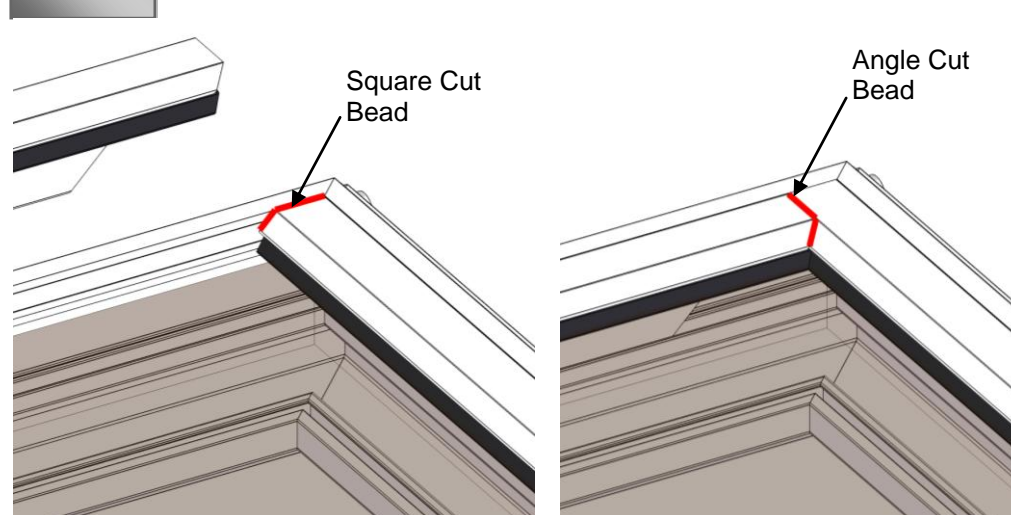


1 Vent Base 'H' Connector

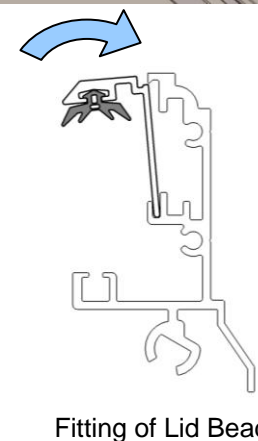


1. NOTE: If fitting Roof Vent Motor remove Glazing Bar Claddings to aid cable routing later.
2. Seal Stepper to lower Glazing Panel as detailed in **BOOKS 1 and 2**.
3. Apply silicone to inside of 'H' Connector.
4. Run a bead of silicone along top edge of Roof Vent at location.
5. Push 'H' Connector onto Roof Vent.
6. Fit upper Glazing Panel into Roof.
7. Push 'H' Connector/Roof Vent Assembly onto upper Glazing Panel.
8. Apply silicone sealant to leading edge of 'H' Connector against glazing to finish.
9. Repeat for lower end of Roof Vent.
10. Allow time for silicone to dry before centralising Glazing Panel/Roof Vent between Bars.

2 Vent Lid Glazing

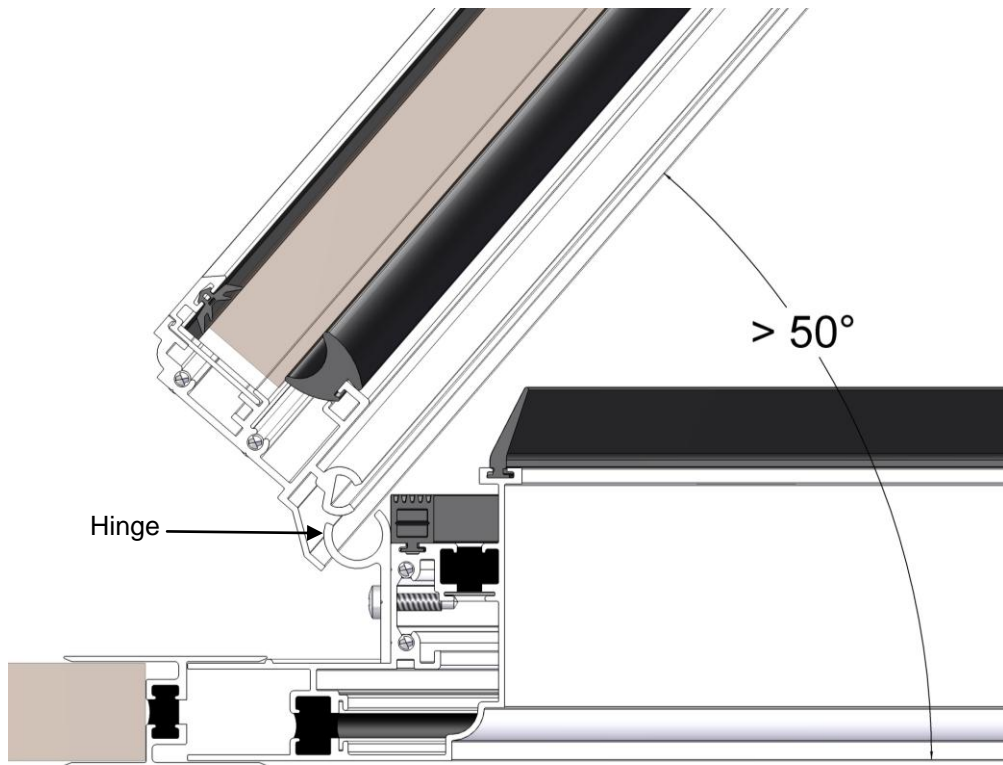


1. Remove all Lid Beads.
2. Fit Glazing material.
3. Pack as required to centralise Glazing material in Lid.
4. To fit beads, run a Bead of silicone along both ends of the square cut beads.
5. Locate Bead leg in pocket as shown opposite.
6. Push down and out to clip bead into place.
7. Run a Bead of silicone along the end faces of the angle cut Bead and refit.
8. Swipe off excess silicone
9. Turn over Roof Vent Lid.
10. Fit Wedge Gasket on underside to secure glazing material into Lid.



3

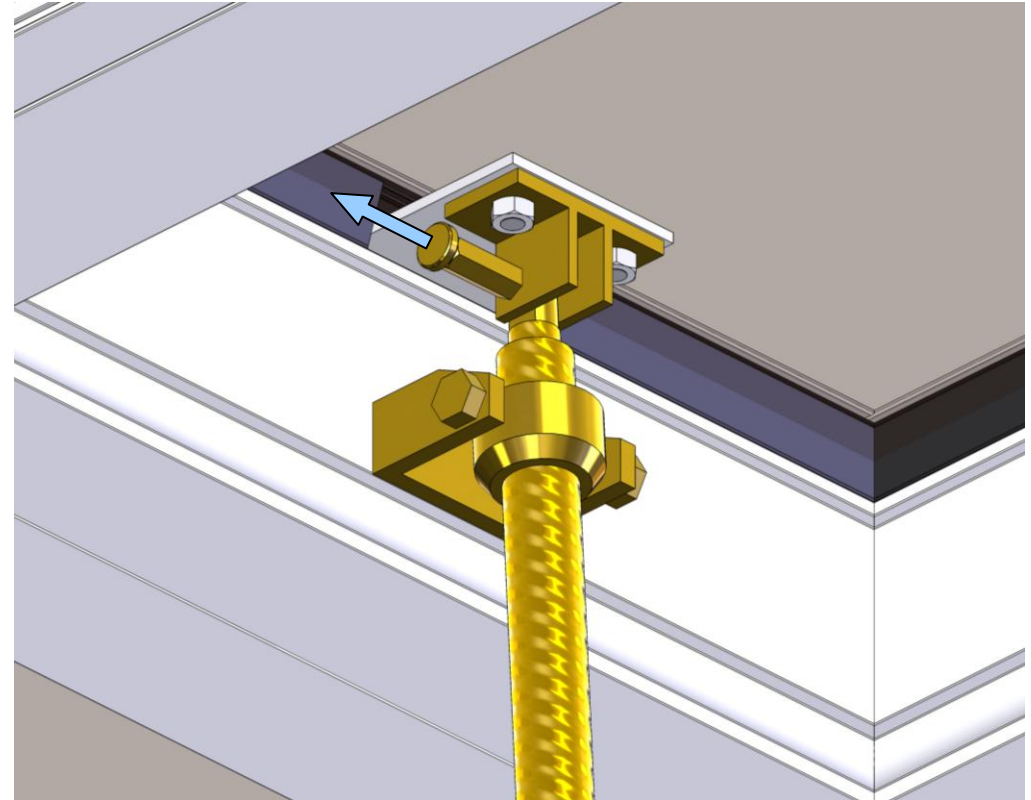
Vent Lid



1. Centralise Lid onto Base.
2. Lid knuckle will only engage with Base/Hinge when Lid is opened greater than 50°.
3. Once engaged, close Lid.
4. To remove Lid open Lid greater than 50° and lift.

4

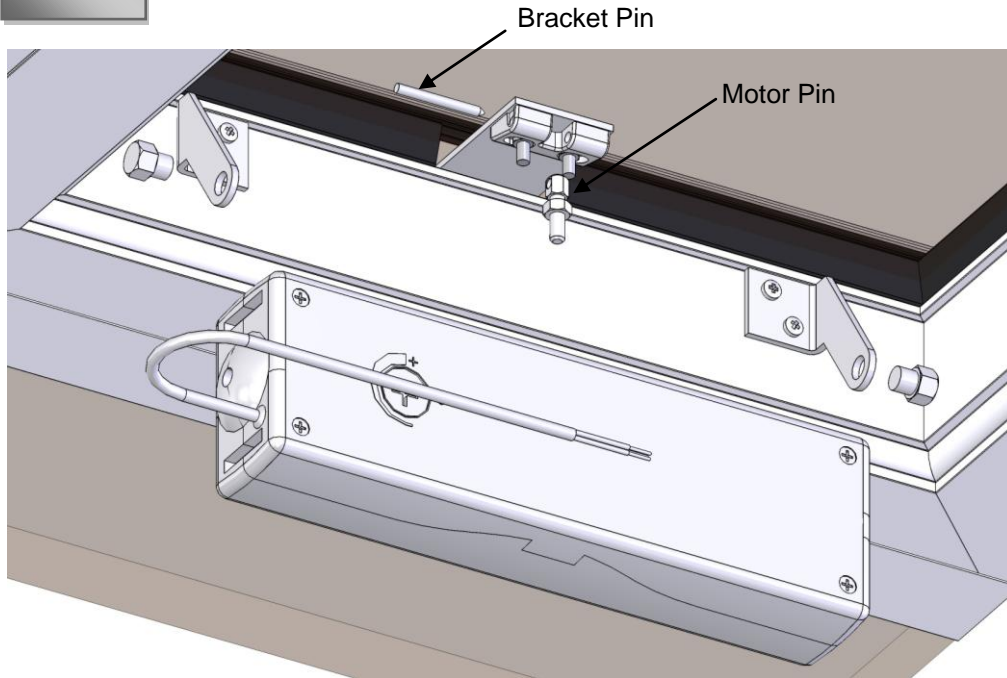
Spindle



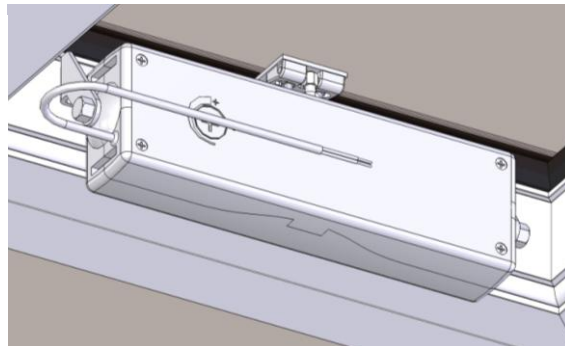
1. To fit manual opening Spindle, ensure both threaded sections are fully home.
2. Pull out spring loaded pin and attach Spindle.
3. Unscrew bolts in Base Bracket.
4. Unwind Spindle to correct height to align with Bracket
5. Screw Bolts to secure Spindle in position.

5

Vent Motor

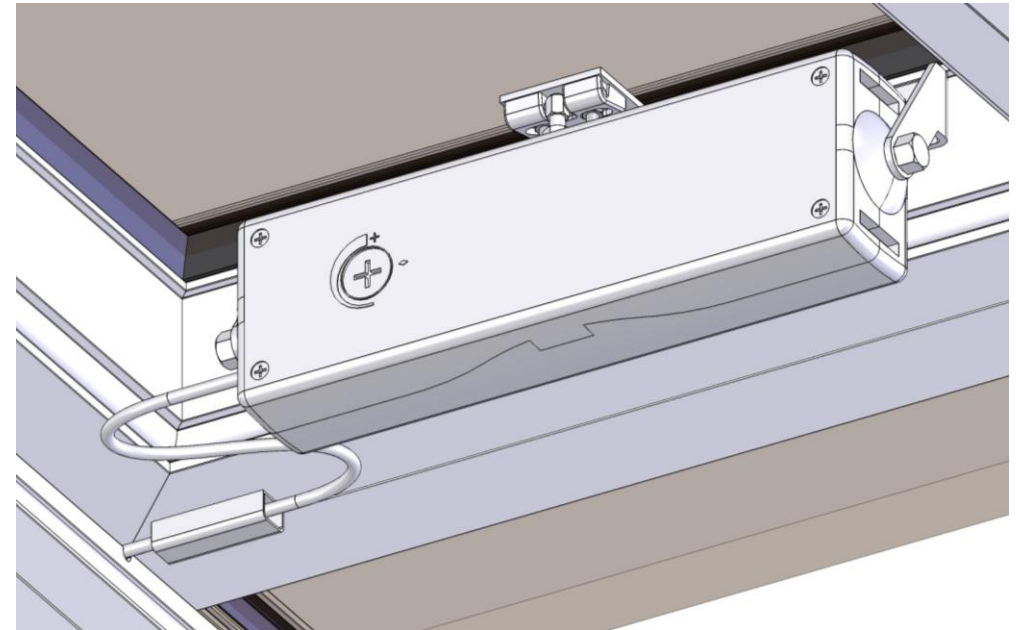


1. Unscrew Pin from Lid Bracket to release Motor Pin.
2. Fit Motor to Brackets mounted on Vent Base.
3. Screw Motor Pin into top of Motor.
4. Adjust height of pin in order to fit with Lid Bracket.
5. Re-fit Lid Bracket Pin
6. Secure with Motor Pin with Nut

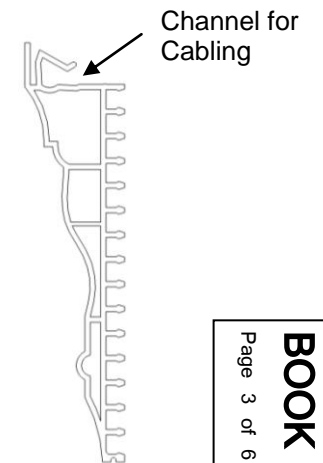


6

Vent Motor Cables

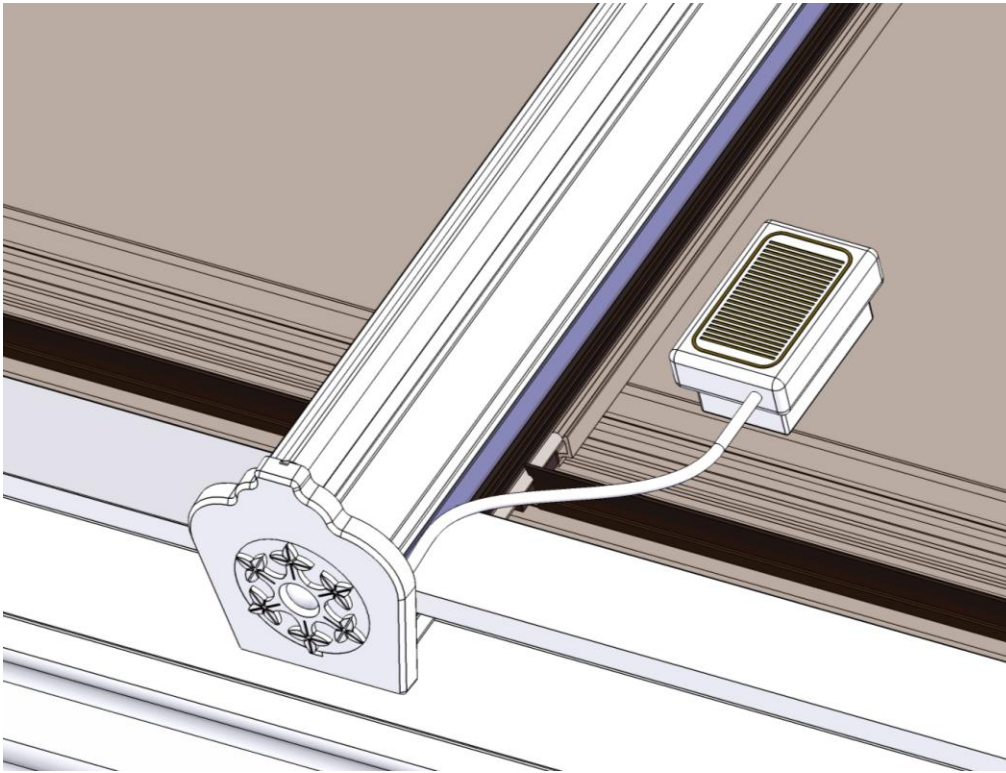


1. Cables can be routed down the Glazing Bar Cladding.
2. Use conduit (not supplied) to route cables to Cladding as required.
3. Make a small notch in Cladding to take cable. Hide notch with conduit.
4. Run Cable down Cladding to Eaves Beam. The Heritage Cladding has a cable channel along its inner edge.



7

Rain Sensor

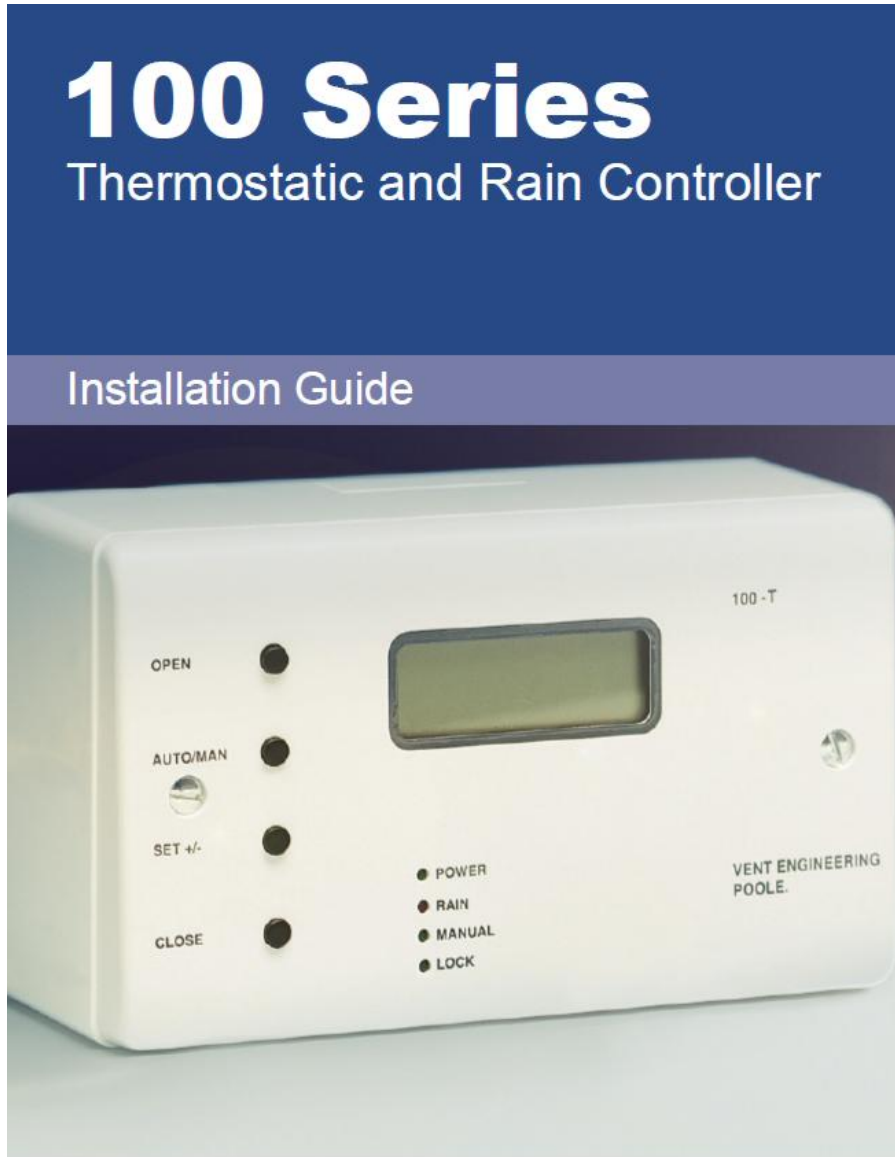


1. Rain Sensors can be mounted anywhere on the roof preferably in an exposed area.
2. Mount Sensor so that rain water doesn't run down cable into sensor.
3. Cable can be tucked under glazing past the flipper gasket.

8

Thermostatic Controller

1. Refer to manufacturers details that follow.



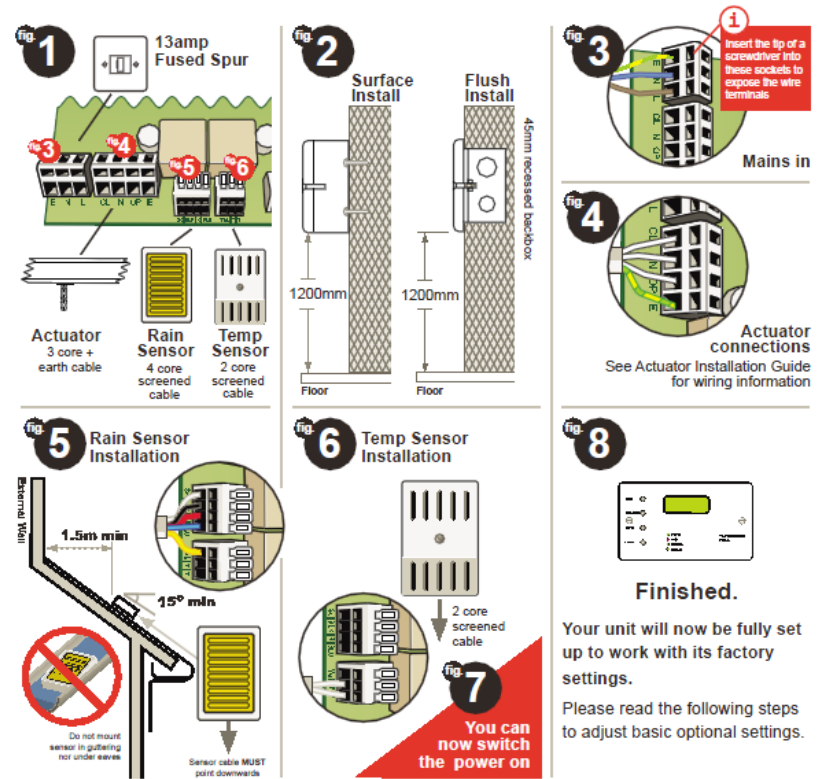
100 Series

Thermostatic and Rain Controller

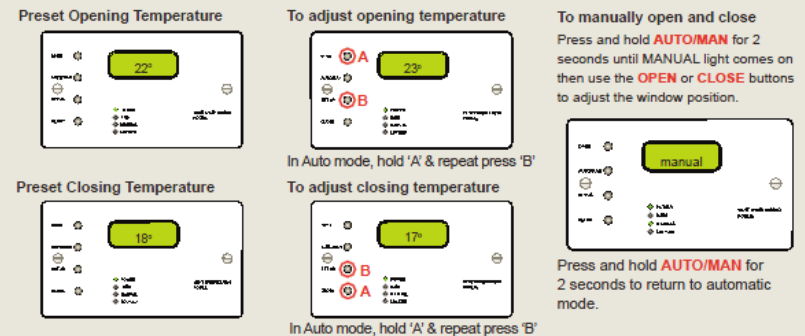
Installation Guide



100 Series Installation Guide



Additional user settings



We advise a difference of at least 2° between the opening and closing temperature.

Frequently Asked Questions

We have compiled the following list of **Frequently Asked Questions** to assist you with any troubles you may encounter.

- Q. It has recently stopped raining but my windows have not opened again?
- A. In Auto mode the 100 series controller has a built in time delay of 5 minutes between the rain sensor drying and the unit becoming fully operational. This will be indicated by the presence of the Rain LED on the front panel. For the unit to operate the current temperature will need to be higher than your desired opening temperature. In manual mode you should have full control of the unit.
- Q. Only the set+/- button on my panel does anything?
- A. This means your panel has been locked. To unlock your unit see the instructions on the back page.
- Q. Can I change the default lock/unlock code?
- A. No. The code has been preset to avoid the need for a complete system reset should the new code be forgotten.
- Q. My rain sensor seems to have become less responsive?
- A. Check the unit has not slipped or fallen into an undesired position and try cleaning the metallic head with a soft damp cloth. We recommend the rain sensor is cleaned on a quarterly basis.
- Q. Where do I mount my temperature sensor?
- A. This location is entirely at your discretion. We would recommend a position that gives a good average reading of the desired location, ideally at least 1300mm from the floor.
You can choose to position the thermostat a maximum of 30m away from the control panel.
- Q. My display shows 0.0 - Is this correct?
- A. This indicates a problem with the thermostat wiring. Check the wiring and that all connections have been correctly made.
- Q. How many actuators will the 100 series operate?
- A. The 100 series has a 5 amp capacity.



100 Series Advanced Operations Guide

The default settings of our 100 series controller are suited to most user applications. However, if you need to make advanced alterations such as; Thermostat, Actuator and Lock Calibration, then please use the following guide.

To enter 'advanced' setup set your unit to "AUTO" mode then press and hold the **AUTO/MAN** plus **SET +/-** buttons simultaneously for 5 seconds.

Your screen should now read..

ADV
SETUP

After a moment the screen will change to display

To Advance
Press SET +/-

Using **SET +/-** is how you scroll through the available options and saves each stage of any alteration.

Now press **"SET +/-"**. The screen will read..

To + a value
Press Open

The Open button is used to increase any value.

Press **"SET +/-"** again. The screen will read..

To - a value
Press Close

The Close button is used to decrease any value.

Press **"SET +/-"** again. The display will read..

Proceed to
ADV Setup

Now you can proceed to the advanced setup options.

Press **"SET +/-"** again. The display will read..

Room Temp
is now XXc

'XX' being the current temperature in your room.

By using **Open(+)** and **Close(-)** you can calibrate the display temperature.

Press **"SET +/-"** again. The display will read

Full open
Cycle 013sec

013sec is the amount of time for the motor to operate and fully open - in most cases this default setting is adequate. You can of course, alter this setting for your actuator by pressing the **Open(+)** and **Close(-)** buttons.

Press **"SET +/-"** again. The display will read..

Opening
Temp =22c

This relates to the temperature that the room must reach before the actuator will operate.

You can alter this setting by pressing the **Open(+)** and **Close(-)** buttons.

Press **"SET +/-"** again. The display will read..

Closing
Temp =18c

This relates to the temperature that the room must fall to before the actuator will operate.

You can alter this setting by pressing the **Open(+)** and **Close(-)** buttons.

Press **"SET +/-"** again. The display will read..

AUTO LOCK
MODE OFF

Using autolock is a security feature that prevents the unit from being used without entering a passcode first. You can turn this on or off by pressing the **Open(+)** and **Close(-)** buttons.

Press **"SET +/-"** again will take you back to **AUTO MODE**

The unlock sequence is:
Button 2 [AUTO/MAN]
Button 1 [OPEN]
Button 3 [SET +/-]
Button 4 [CLOSE]