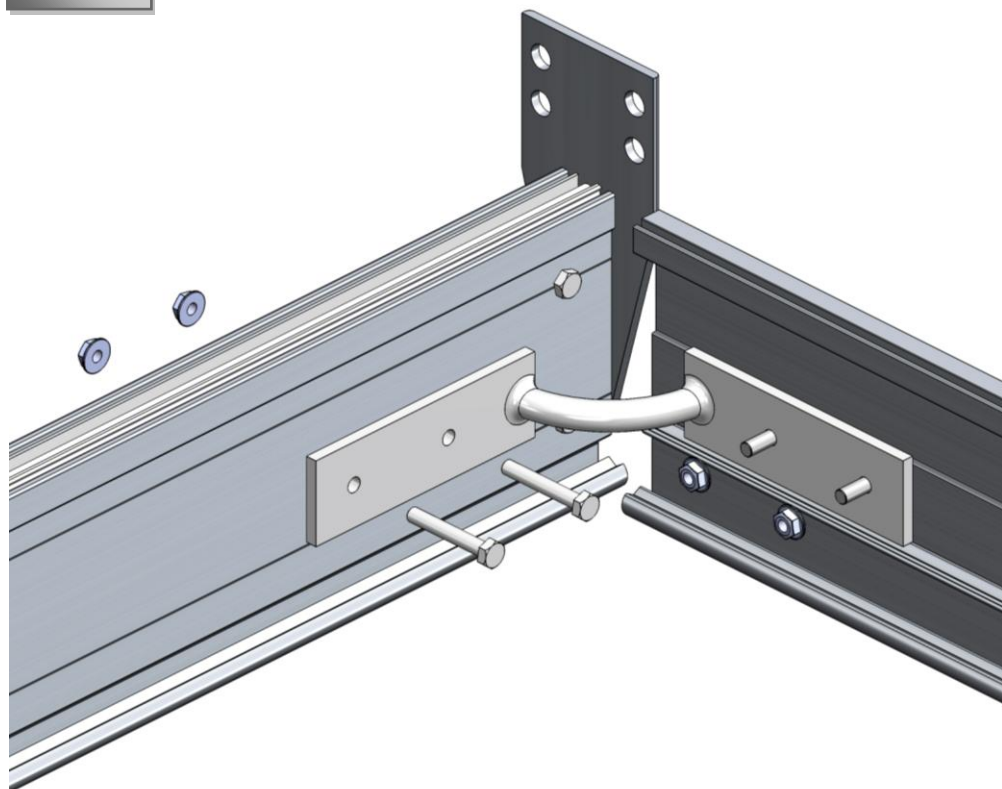


# 1

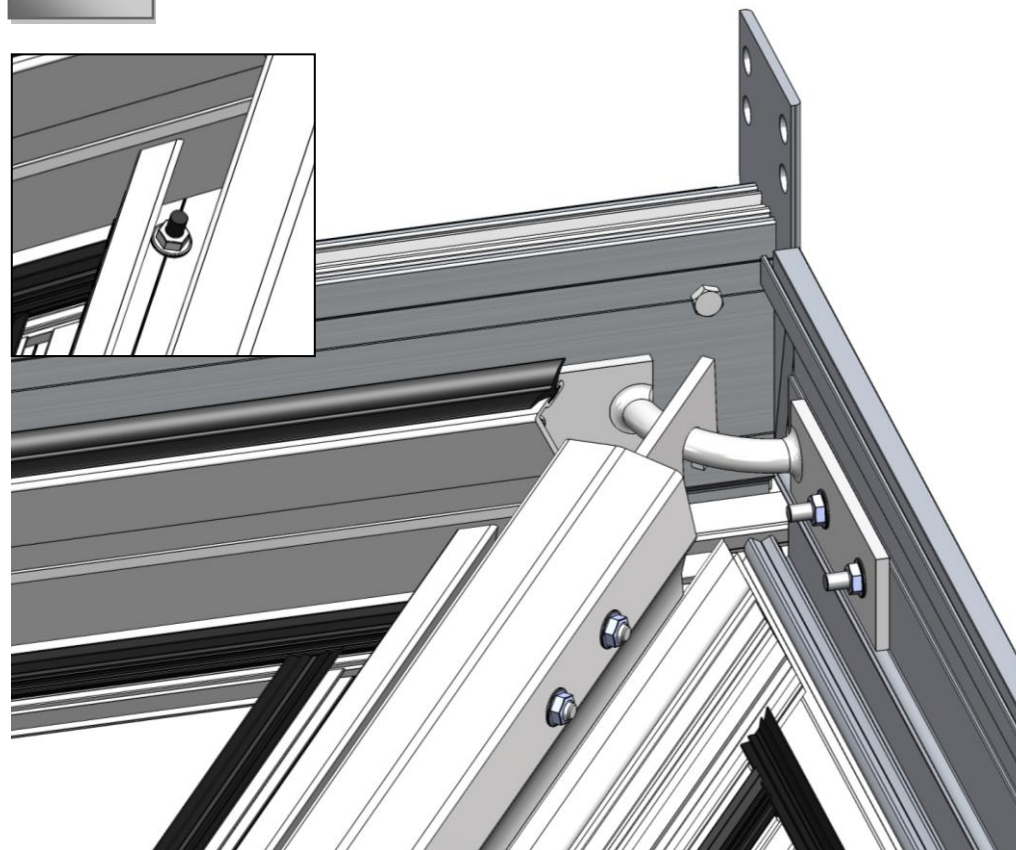
## Valley Ring



1. See **BOOKS 1 and 2** for fitting Ridge and Wallplate to wall.
2. Ridge and Wallplate Roof Rise dimension should be common.
3. Remove Ridge and Wallplate Wings.
4. Push Wallplate up to Ridge Bracket.
5. Once Ridge and Wallplate are secured to the wall, fit Valley Ring with fixings provided.
6. Re-fit Wings.

# 2

## Valley Hook



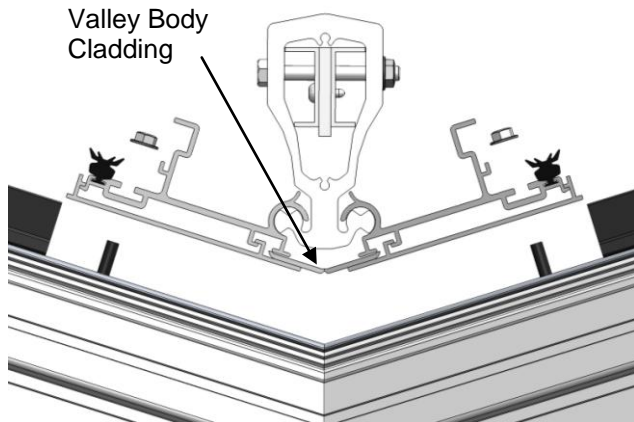
1. Remove Nuts from fixings in the Ridge/Wallplate Wings and the Eaves Beam.
2. Locate Valley Body hook onto Valley Ring.
3. Unfold Valley Wings. Move Valley Hook around Ring in order to settle on Ridge/Wallplate Wings.
4. Locate Valley Wings over fixings.
5. Secure in place with Nuts.

### 3

### Valley @ Eaves

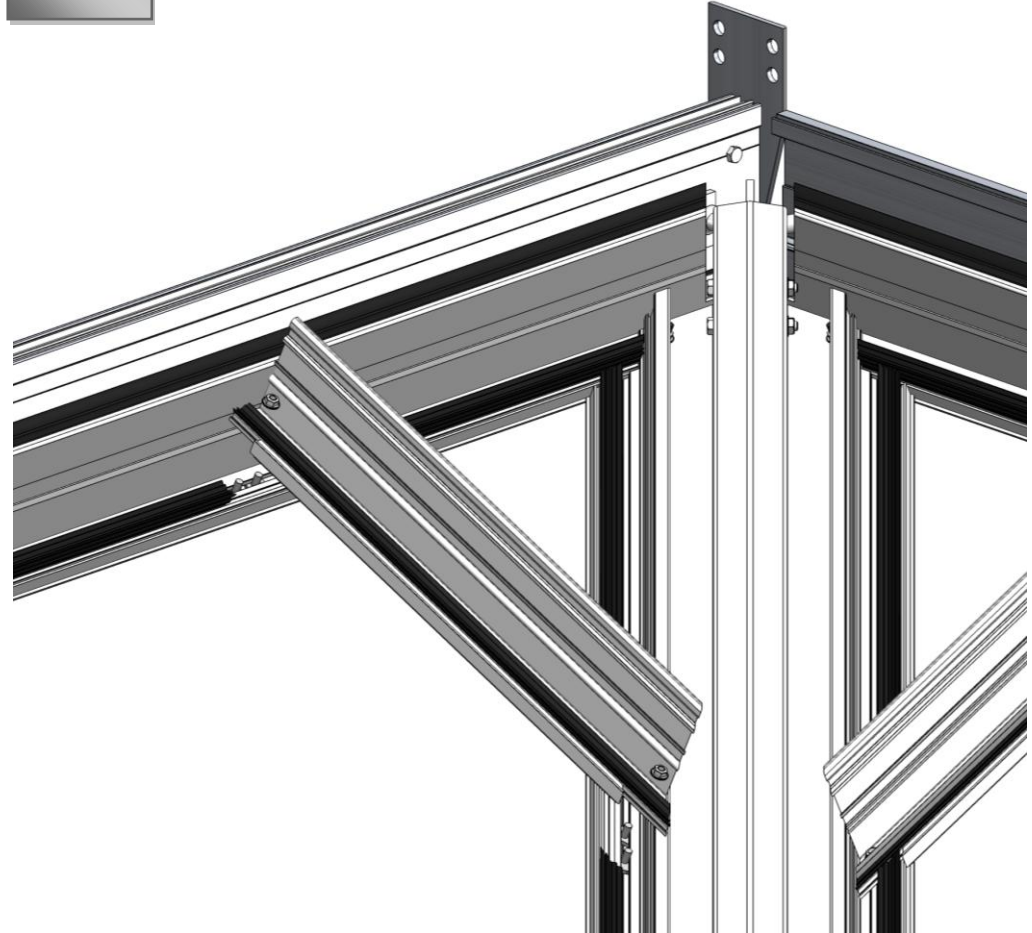


1. NOTE: Before fixing Valley to Eaves Beam, slide Valley Body Cladding up the Valley. The Wing Claddings can be removed if required.
2. Locate Wings over fixings in Eaves Beams.
3. Secure to Eaves Beam with Nuts.



### 4

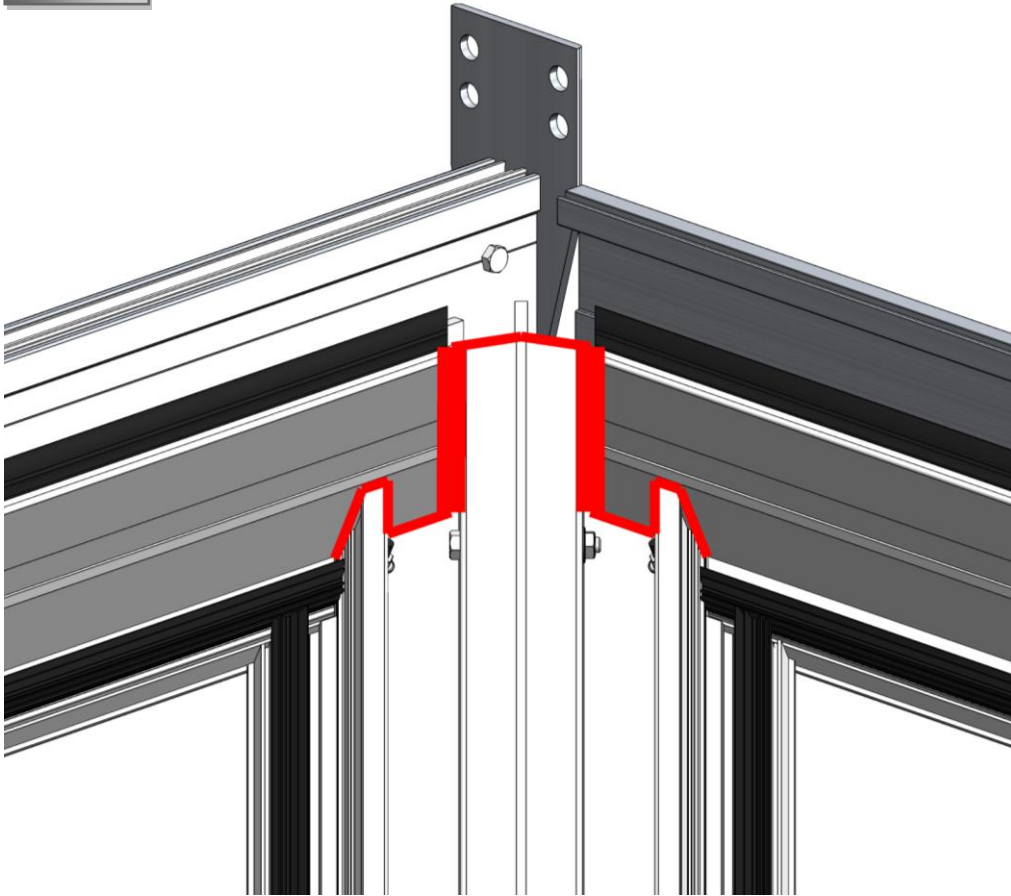
### Jack Rafter @ Valley



1. See **BOOKS 1 and 2** for fitting of Glazing Bars.
2. Remove Nuts from Twin Fast fixings.
3. Locate Jack Rafter over fixings.
4. Replace Nuts.

### 5

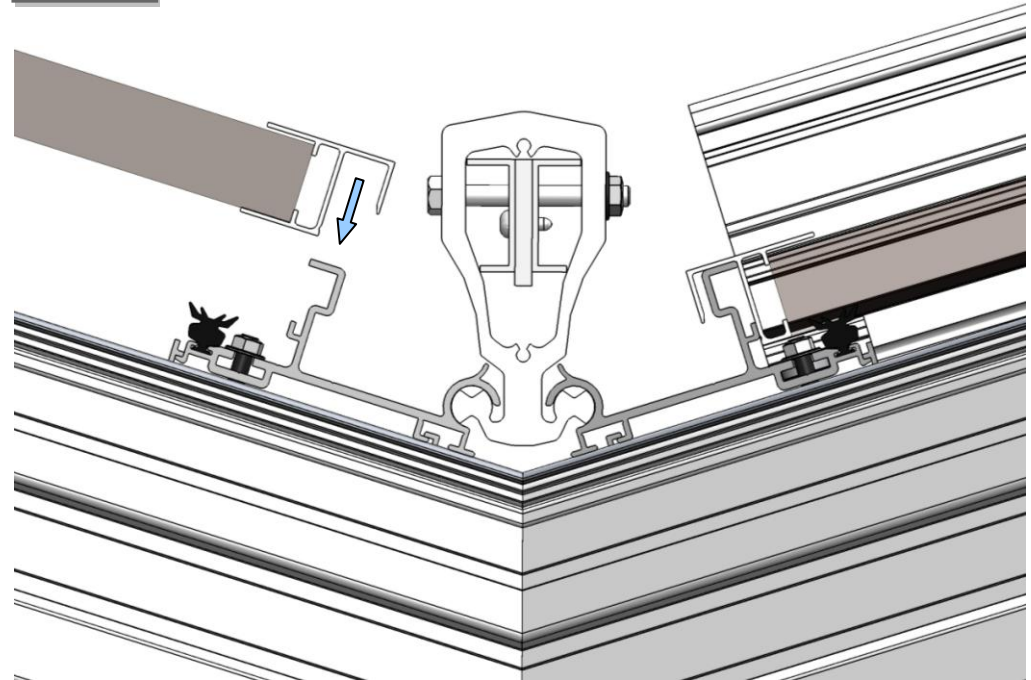
## Sealing Valley



1. Liberally apply silicone at Valley Body and Wings as shown.

### 6

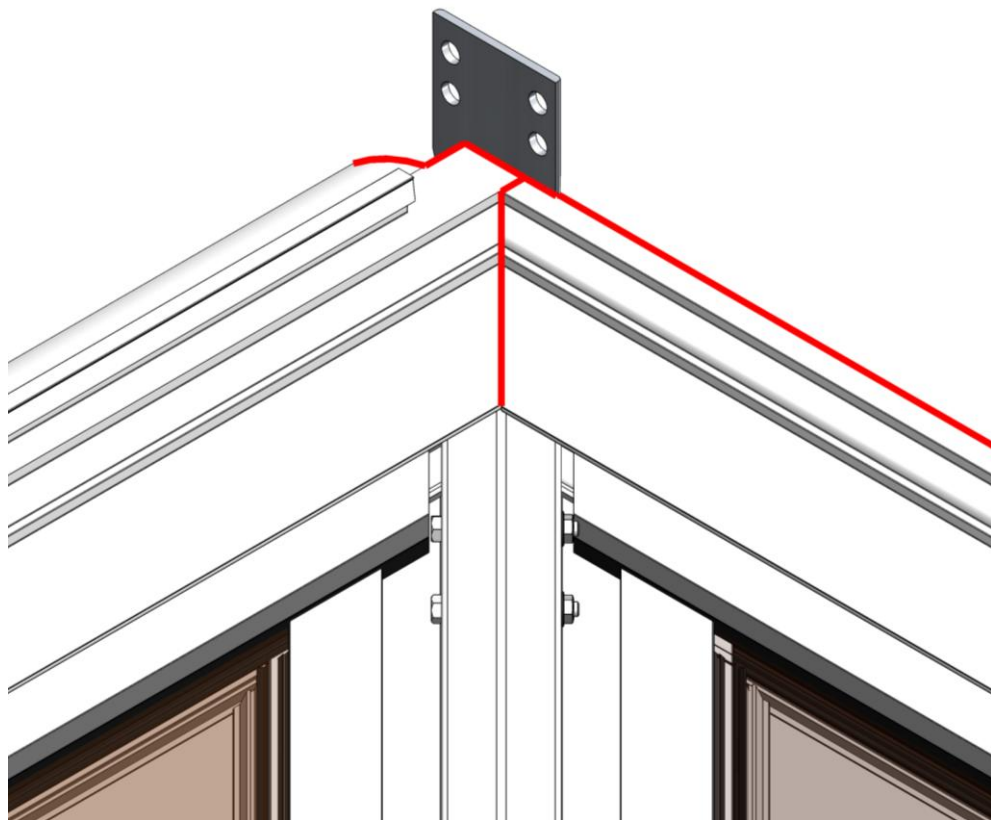
## Glazing Valley



1. See **BOOKS 1 and 2** for details on fitting and sealing Glazing Steppers to Glazing Panels and for fitting remaining panels.
2. Locate Glazing Stepper over Valley Wing upstand.
3. The vertical face of the Glazing Stepper should rest against upstand.
4. Pack Glazing Panels off Jack Rafters to ensure even spacing up the Valley.
5. NOTE: Stepper can be screwed down to upstand to prevent wind buffeting on wide Glazing Panels if required.
6. See **BOOKS 1 and 2** for details on fitting of Glazing Beads.
7. NOTE: Add a spot of silicone to the Bead Gaskets to prevent the Gasket from potential slippage.

### 7

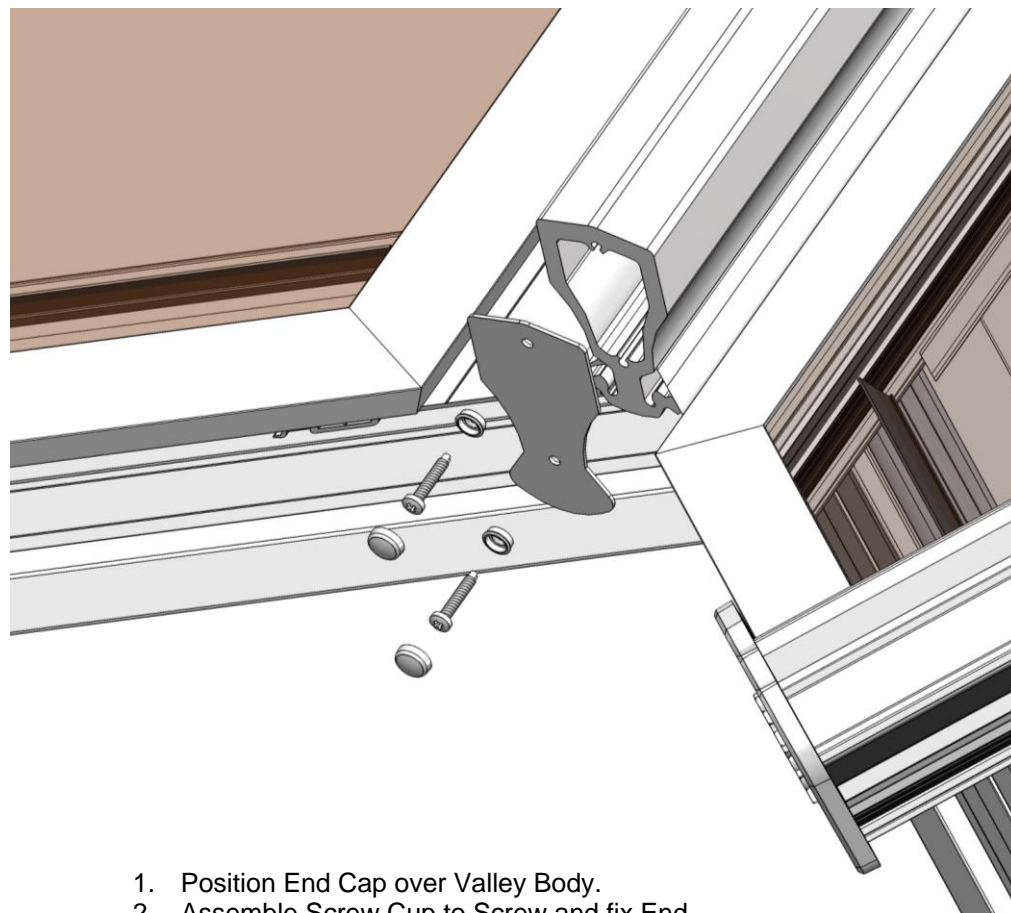
## Sealing Ridge Cover



1. Assemble Ridge and Wallplate Cover as detailed in **BOOKS 1 and 2.**
2. Run a Bead of silicone across the mitres as shown above.
3. Lead flash as detailed in **BOOKS 1 and 2.**

### 8

## Valley End Cap



1. Position End Cap over Valley Body.
2. Assemble Screw Cup to Screw and fix End Cap to Valley Body.
3. Push Screw Cap Covers over cup to finish.