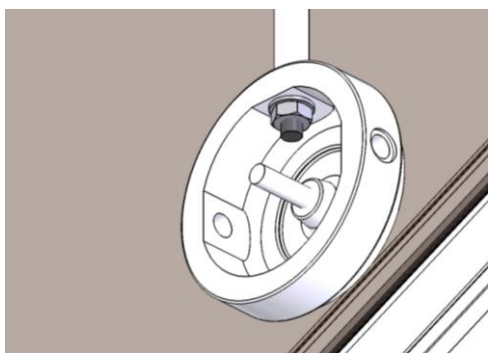
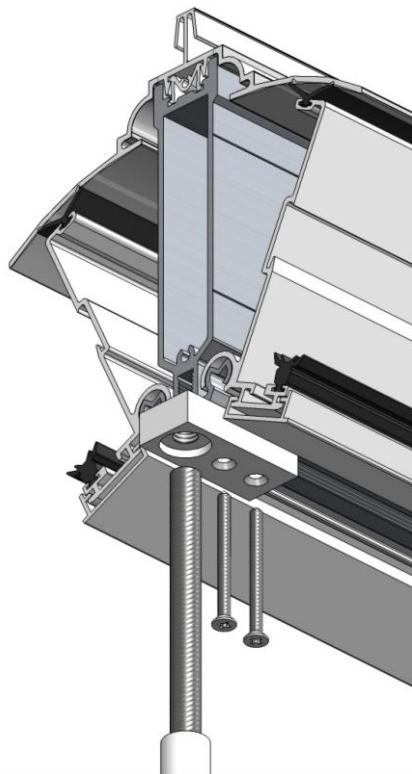
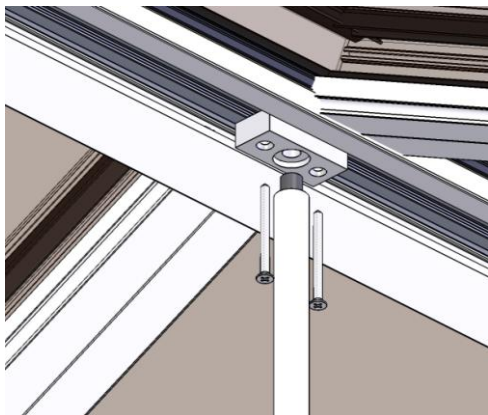


# 1

## Tie Bar at Ridge

Gallery Tie Bar Block



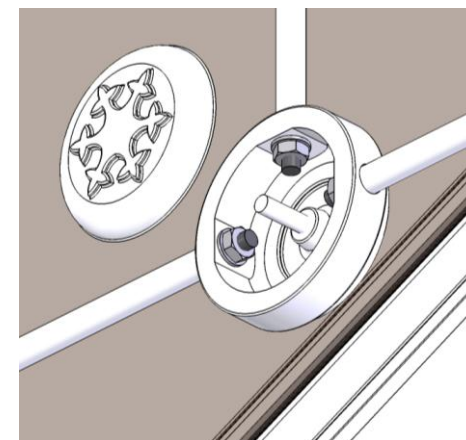
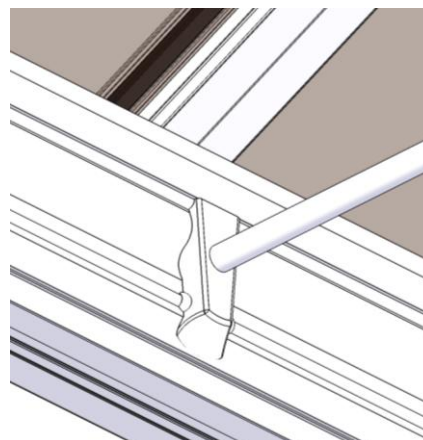
**NOTE:** Roof should be propped throughout the construction and only removed once Tie Bar has been fitted.

1. Fix Tie Bar Ridge Block/Gallery Block to Ridge using screws provided.
2. Screw Tie Bar Rod into Block.
3. Slide Tube over Rod.
4. Slide Boss over Rod.
5. Hold Boss in place with Washer and Nut.

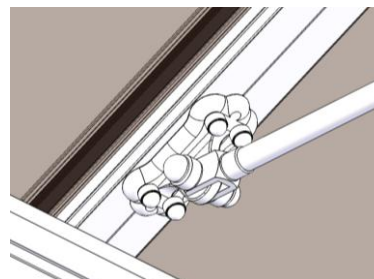
**NOTE:** For a Tie Bar under the Gallery, drill Ø10mm hole though the Gallery Undercap. Fit Undercap before fitting Tube.

# 2

## Tie Bar at Eaves



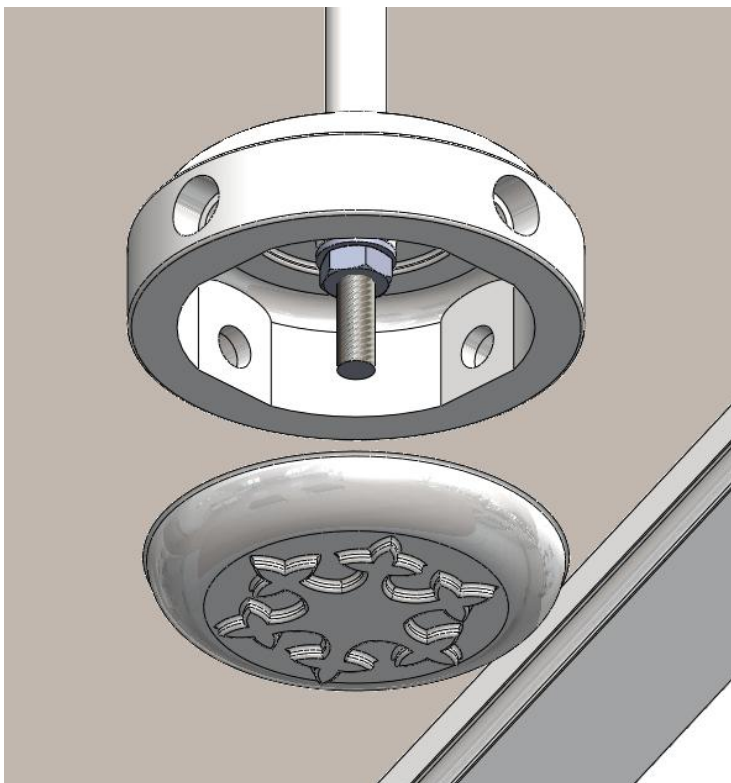
1. See **BOOK 3** – Heritage Cladding for Eaves Beam preparation prior to fitting Tie Bar.
2. Push Tie Bar Rod through Cover Trim.
3. Screw Tie Bar into Eaves Beam until home.
4. Slide Tube over Rod
5. Push Rod through Boss
6. Secure with Washer and Nut. Nut should only be finger tight plus ¼ turn. Load will be applied to the Tie Bar as the Prop is removed.
7. Screw Boss Cover to Boss.



1. For Glazing Bar mounted Tie Bars, screw Rod into Lug. Do not screw home.
2. Slide Tube over Rod.
3. Push Rod through Boss.
4. Screw Rod home against Lug.
5. Fit Washer and Nut as above.

### 3

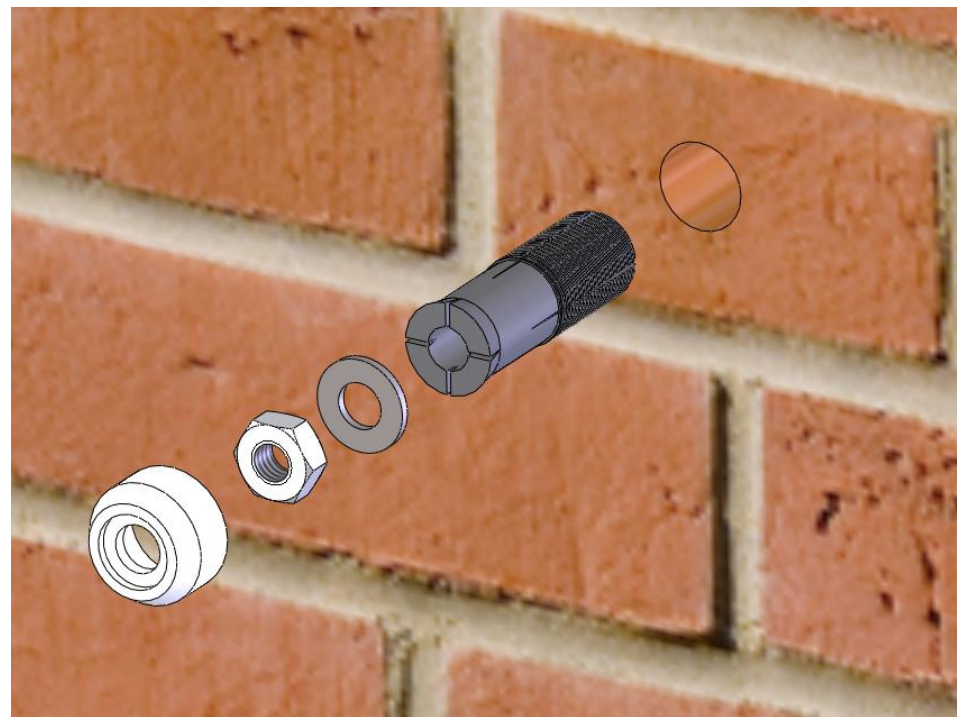
## 5 Way Tie Bar



1. Slide Boss over Rod.
2. Vertical Tie Bar Rod should project 30mm through the Boss.
3. Hold Boss in place with Washer and Nut.
4. After fitting horizontal rods, screw Boss Cover to vertical Tie Bar Rod.

### 4

## Wall Fixing



1. Accurately mark fixing position on Wall.
2. Drill Ø20 Hole in Wall at least 70mm deep.
3. Insert Plug in Wall and push home so face is flush with wall.
4. Thread Nut and Washer onto Tie Bar Rod and screw Rod into Plug until home.
5. Run Washer and Nut up to face of Plug.
6. Using a spanner continue to tighten Nut up against the face of plug. This causes a brass insert in the plug to move forward spreading the plug and gripping the sides of the hole.
7. Slide Nut Cover and Tie Bar Tube over Tie Bar Rod to cover wall fixing.