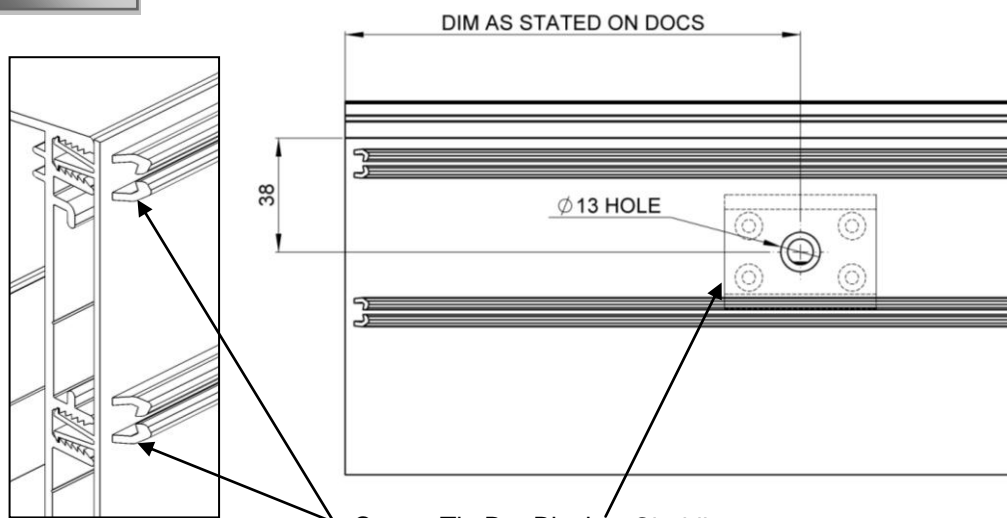
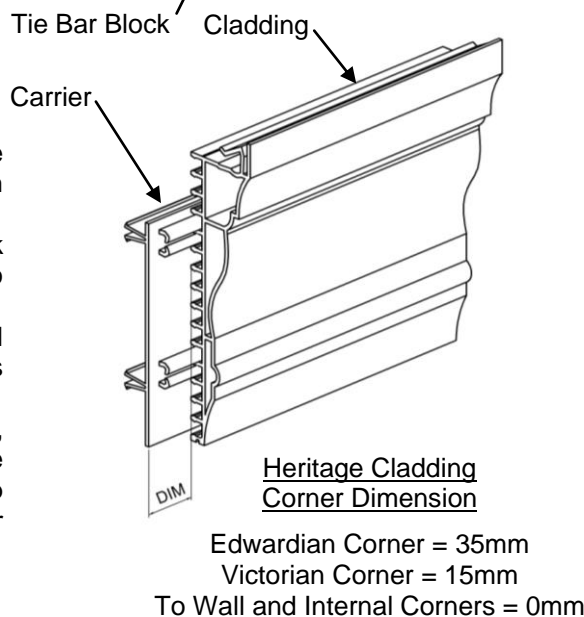


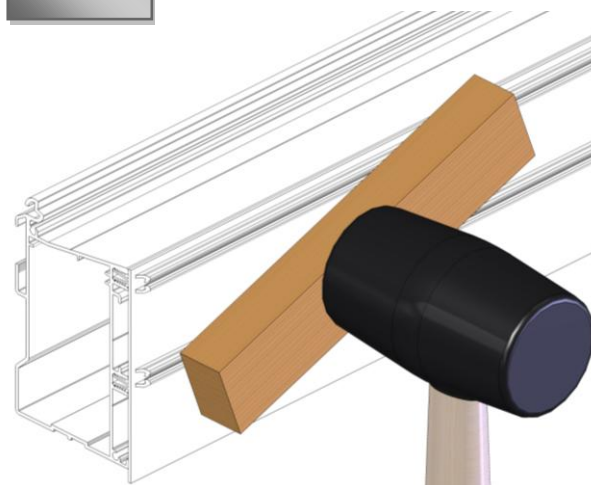
### 1 Preparation



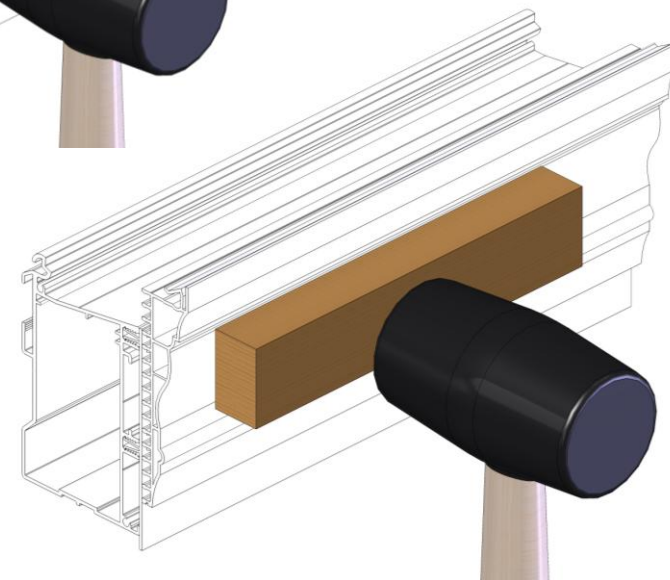
1. The length of the Heritage Carrier should be the full length as the Eaves Beam
2. With a Stanley knife cut back legs in order to get a tight fit into mitred corners.
3. If a Tie Bar is to be fitted, drill Ø13 hole in face of Carrier as shown above.
4. Due to the depth to the profile, the Heritage Cladding will be shorter at the corners. This gap will be covered by the Corner Trims.



### 2 Fitting



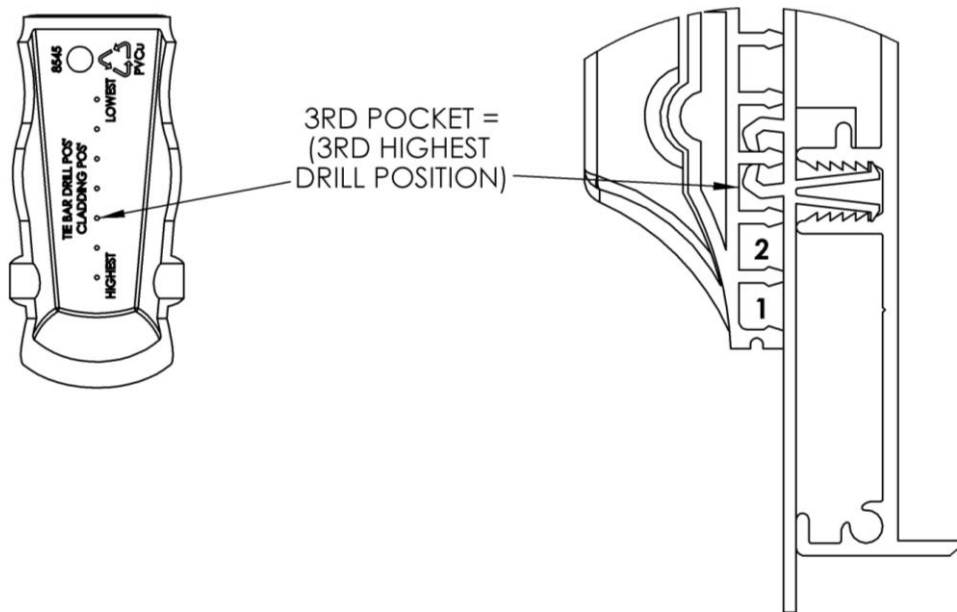
1. Gently tap Carrier home using large rubber mallet and knocking block.



2. Hold up the Heritage Cladding to the Carrier to assess the correct height position. A 10mm gap from the underside of the Glazing Bar is typical.
3. Check whether this height is suitable for the entire perimeter of roof.
4. If a Tie Bar is to be fitted take note of the pocket position as per the picture on the following page. **DO NOT ASSEMBLE YET.**
5. If no Tie Bar is required, position the Heritage Trim along the Eaves Beam noting the corner dimension stated opposite.
6. Using a rubber mallet and knocking block engage Heritage Cladding with Carrier.

### 3

## Tie Bar Cover Trims



1. Having made a note of the pocket position. Drill Ø10mm hole in Tie Bar Cover Trim.
2. Use this as a template for drilling Ø13mm hole in the Heritage Cladding. Ensure the hole aligns with the hole in the Carrier.
3. Assemble Heritage Cladding and Cover and check alignment.

NOTE: If Luminaire Lighting is specified refer to **BOOK 8** for Heritage Cladding and Cover Trim preparation.

### 4

## Corner Trims

